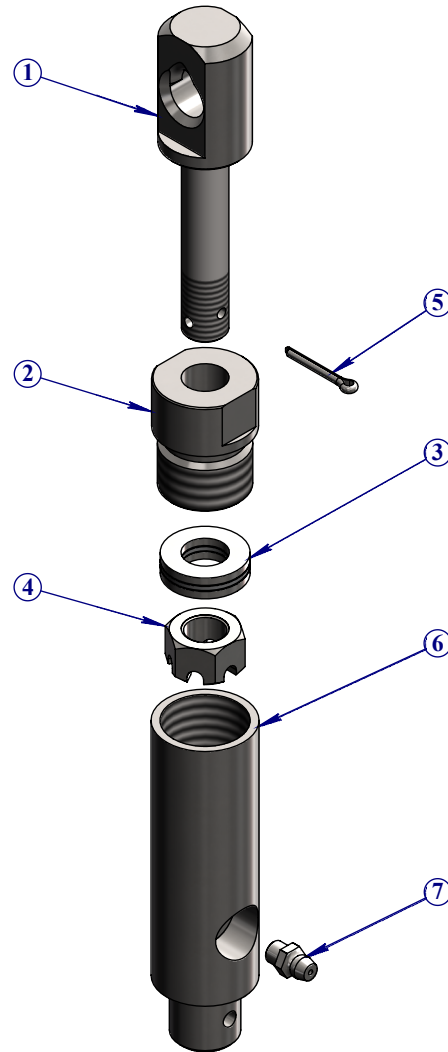
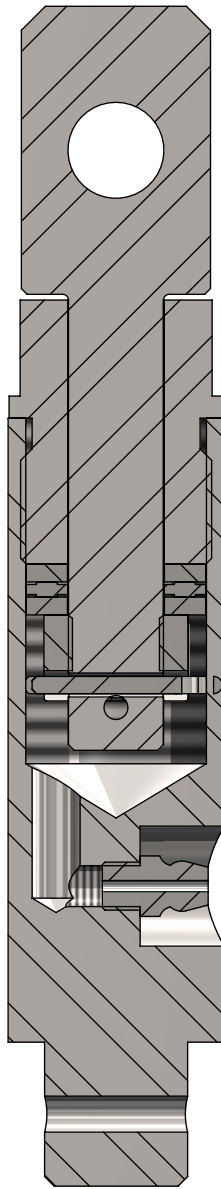



Item #	Part #	Description	Unit Weight
1-7	30457	Cable Swivel Assembly, U/G	1.258

Item #	Part #	Description	Qty	Unit Weight
1	25991	Eye Bolt, Overshot	1	0.351
2	25990	Cable Swivel Collar	1	0.247
3	25986	Thrust Bearing	1	0.033
4	36859	1/2-20 Plain Finish Steel Slotted Hex Nut	1	0.034
5	44615	Cotter Pin, 3/32" x 3/4"	1	0.002
6	30183	Cable Swivel Body, U/G	1	0.582
7	58834	1/4-28 Straight Steel Zinc Self-Tapping Grease fitting	1	0.01



<small>This document and all information contained are the sole property of Usage X-Spec Inc. Any reproduction in part or as a whole without the permission of Usage X-Spec Inc. is prohibited</small> www.xspec.ca 	Project: Overshot	
	Description: Cable Swivel Assembly, U/G	
	Weight	Version
	1.258 lbs	2020-07-28
Filename: C7096.sldrw		