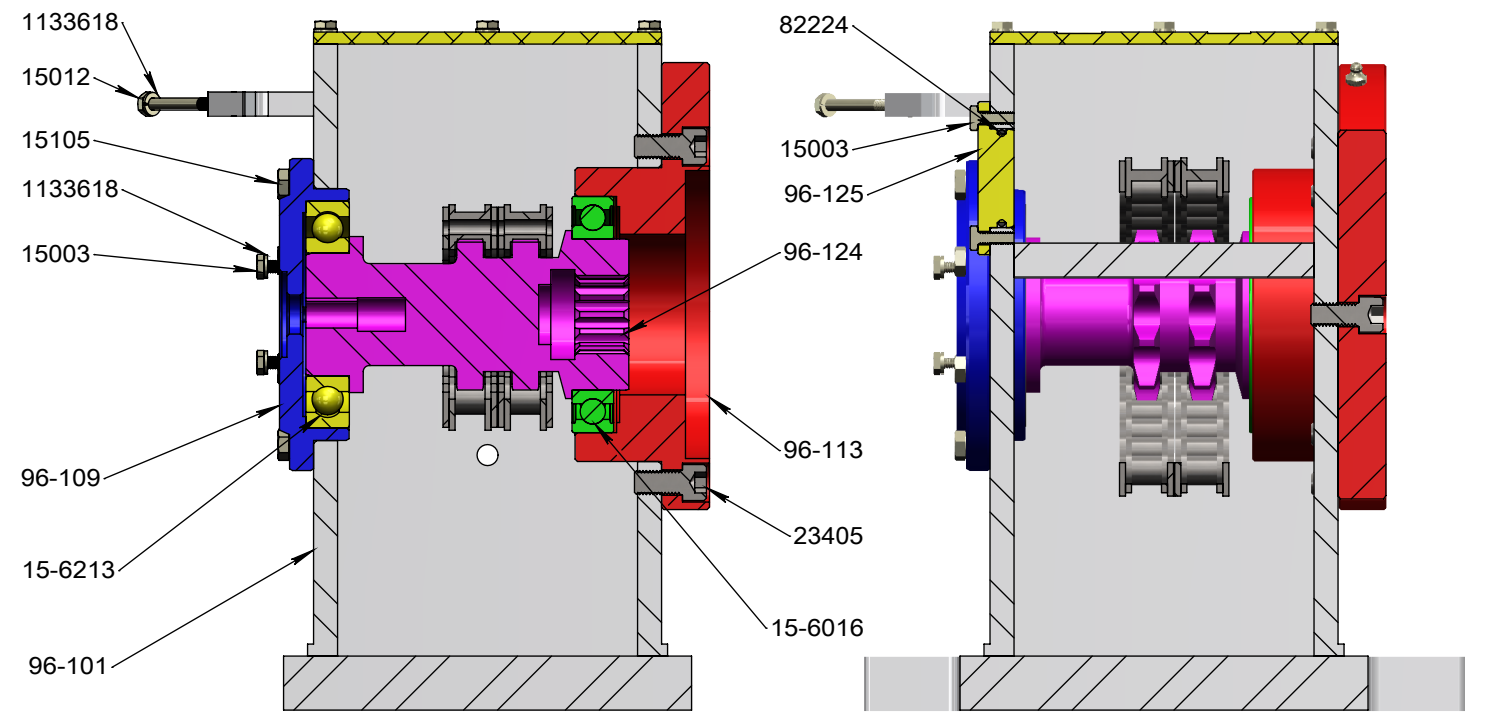
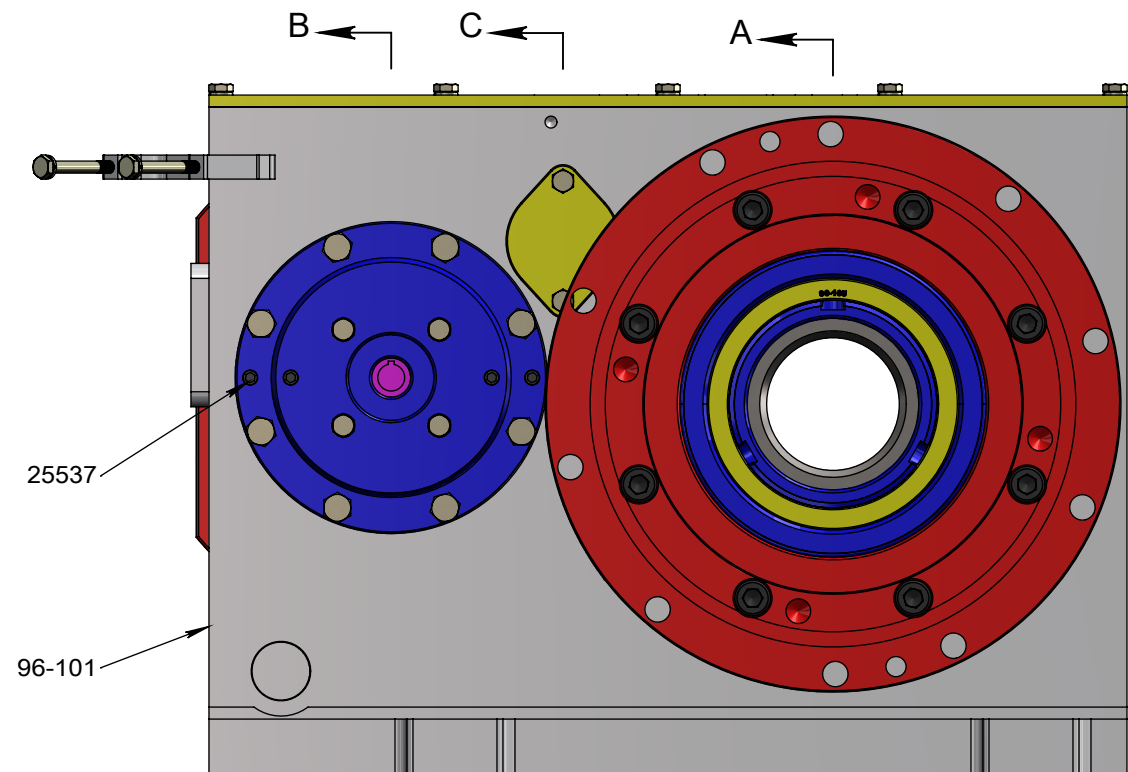
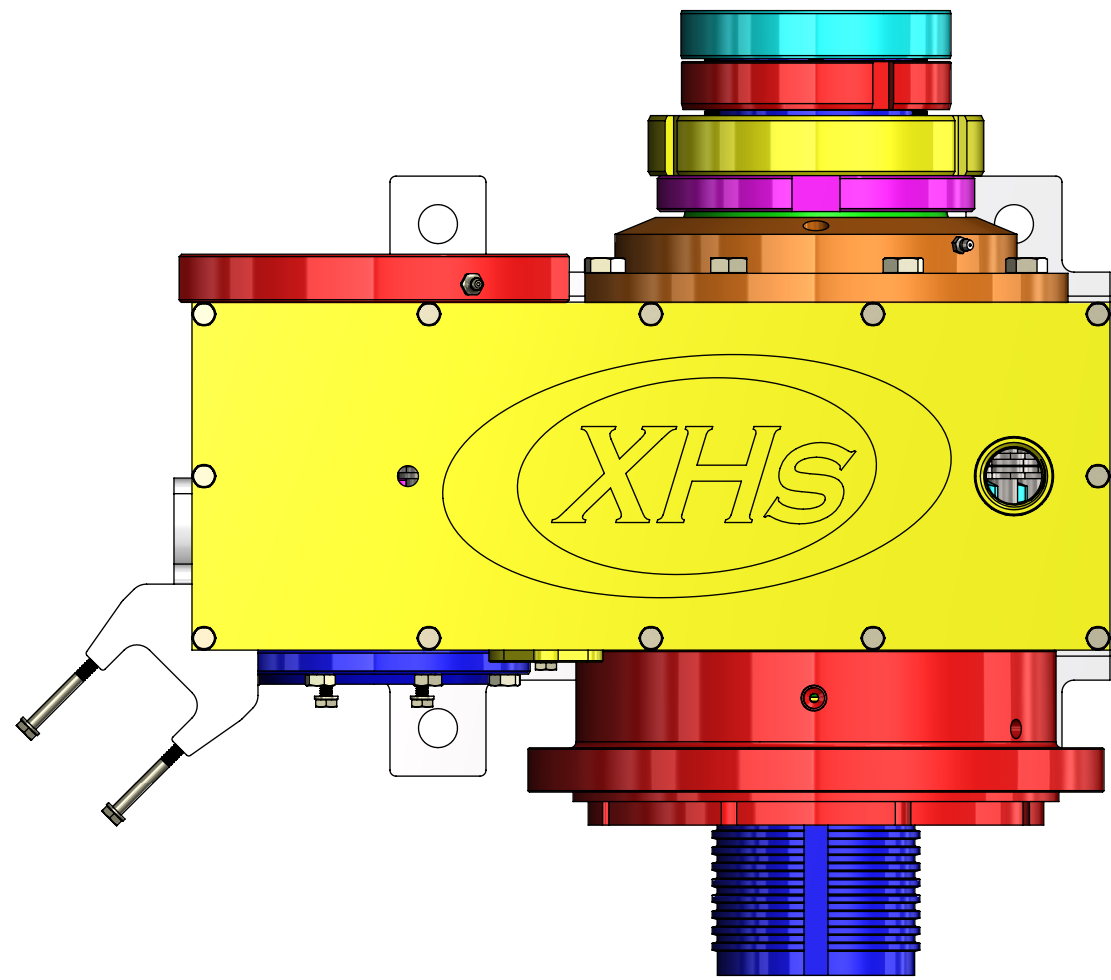
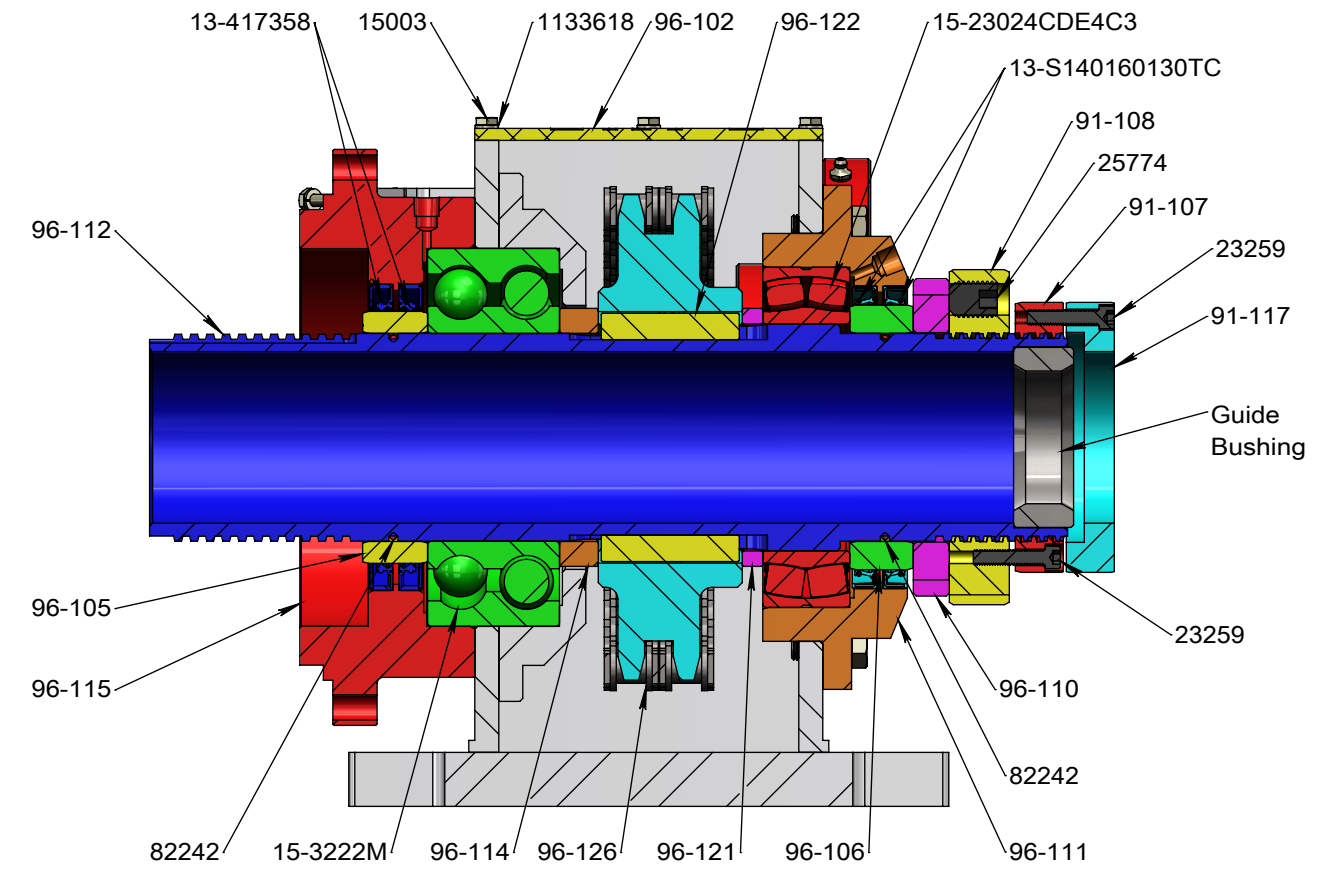


Item #	Part Number	Description	Qty	Unit Weight
1	13-417358	Oil Seal	2	0.643
2	13-S140160130TC	Radial shaft seal	2	0.247
3	15-3222M	Angular Contact Ball Bearing, Double Row	1	18.082
4	15-6016	Single Row Ball Bearing	1	1.790
5	15-6213	Deep Groove Ball Bearing	1	2.236
6	15-23024CDE4C3	Spherical Roller Bearing	1	8.558
7	91-107	Lower Locking Ring	1	2.769
8	91-108	Upper Locking Ring (C/W 9x Sets Screw, 3/4" x 1" Lg)	1	7.325
9	91-117	Retaining Cap	1	3.560
10	96-101	Casing Weldment, XHS	1	140.710
11	96-102	XHS Head Cover	1	3.311
12	96-105	Lower Seal Sleeve	1	2.605
13	96-106	Upper Seal Sleeve	1	3.381
14	96-109	Pump Cover	1	5.259
15	96-110	Push Ring	1	3.948
16	96-111	Upper Bearing Housing	1	20.524
17	96-112	Main Spindle	1	26.465
18	96-113	Transmission Adapter	1	21.237
19	96-114	Spacer Ring, Wide	1	1.804
20	96-115	Lower Bearing Housing	1	41.114
21	96-121	Spacer Ring, Narrow	1	0.612
22	96-122	Key	2	0.388
23	96-123	Sprocket	1	27.120
24	96-124	Drive Spindle	1	9.850
25	96-125	Access Cap	1	0.789
26	15003	1/4-20 x 3/4" Grade 8 Yellow Zinc Finish Hex Cap Screw	18	0.0162
27	15012	1/4-20 x 2-1/4" Grade 8 Yellow Zinc Finish Hex Cap Screw	2	0.0369
28	15105	3/8-16 x 1" Grade 8 Yellow Zinc Finish Hex Cap Screw	8	0.0453
29	15207	1/2-13 x 1-1/4" Grade 8 Yellow Zinc Finish Hex Cap Screw	8	0.1037
30	23259	5/16-18 x 1-1/2" ASTM A574 Hex Drive Black Oxide Finish Alloy Steel Socket Cap Screw	6	0.040
31	23405	1/2-13 x 1" ASTM A574 Hex Drive Black Oxide Finish Alloy Steel Socket Cap Screw	7	0.100
32	23415	1/2-13 x 3" ASTM A574 Hex Drive Black Oxide Finish Alloy Steel Socket Cap Screw	8	0.207
33	25537	3/8-16 x 3/8" Hex Drive Cup Point Black Oxide Finish Alloy Steel Socket Set Screw	4	0.007
34	25663	1/2-13 x 1/2" Hex Drive Cup Point Black Oxide Finish Alloy Steel Socket Set Screw	2	0.018
35	58831	1/8-27 Straight Steel Zinc Self-Tapping Grease fitting	1	0.017
36	58834	1/4-28 Straight Steel Zinc Self-Tapping Grease fitting	1	0.01
37	82224	O-Ring	1	0.0042
38	82242	O Ring	2	0.0092
39	1133618	1/4 Zinc Finish Medium Split Lock Washer	18	0.002
40	96-126	Drive Chain, XHS, 80-2	1	10.467



SECTION B-B

SECTION C-C



SECTION A-A