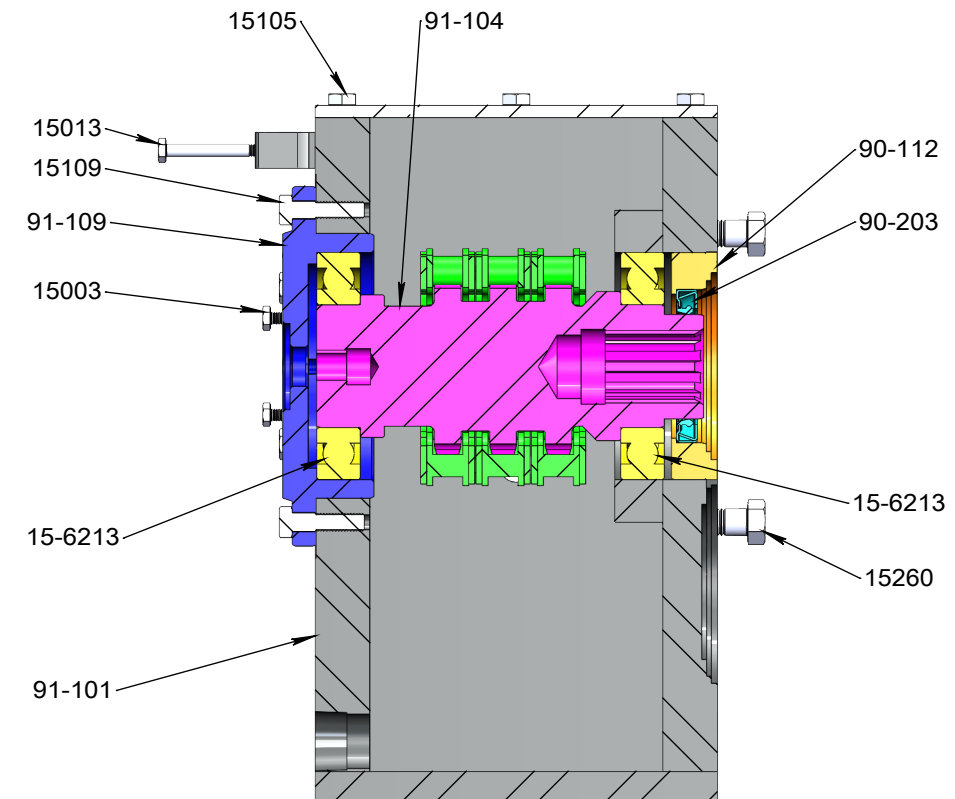
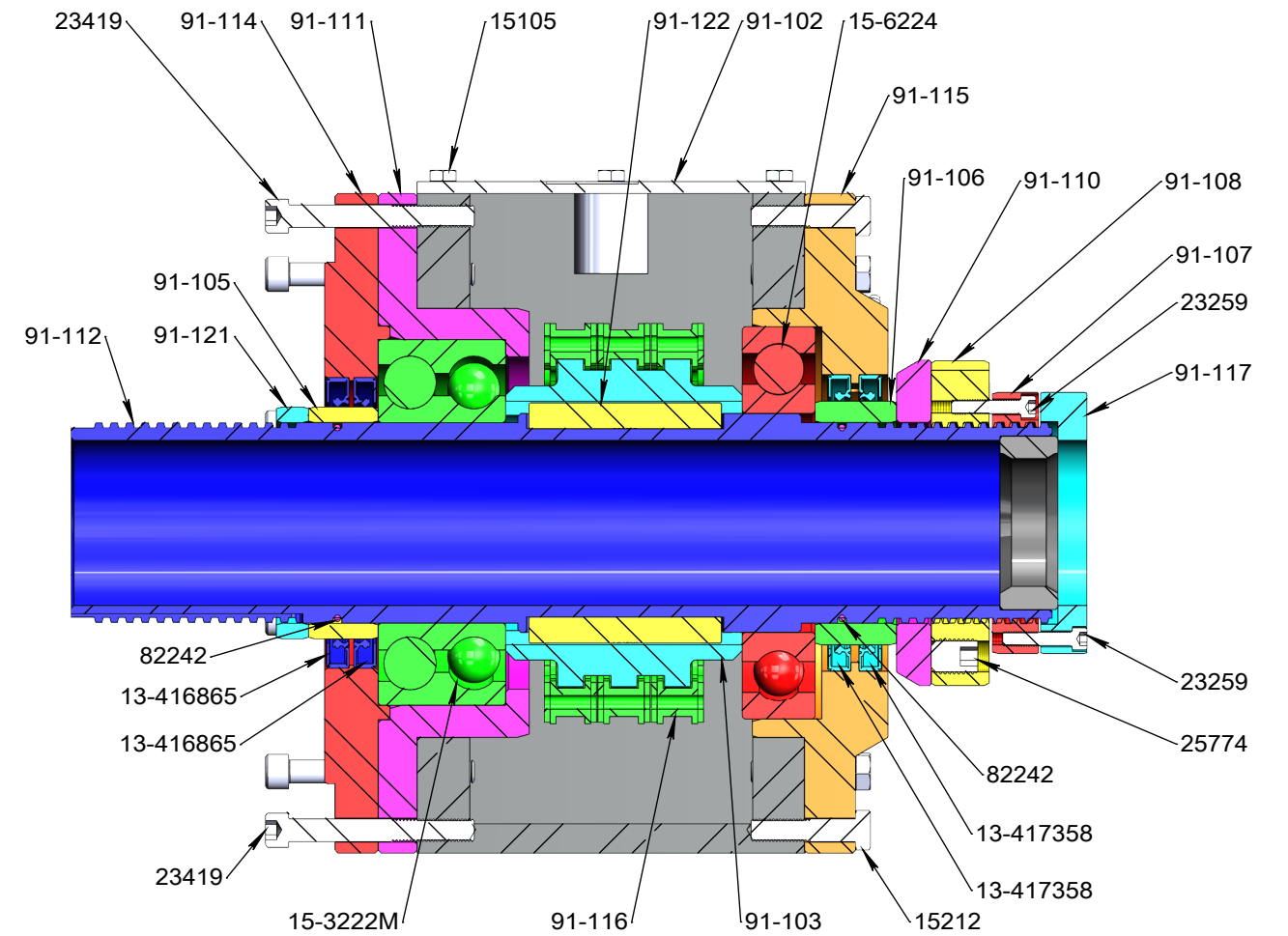
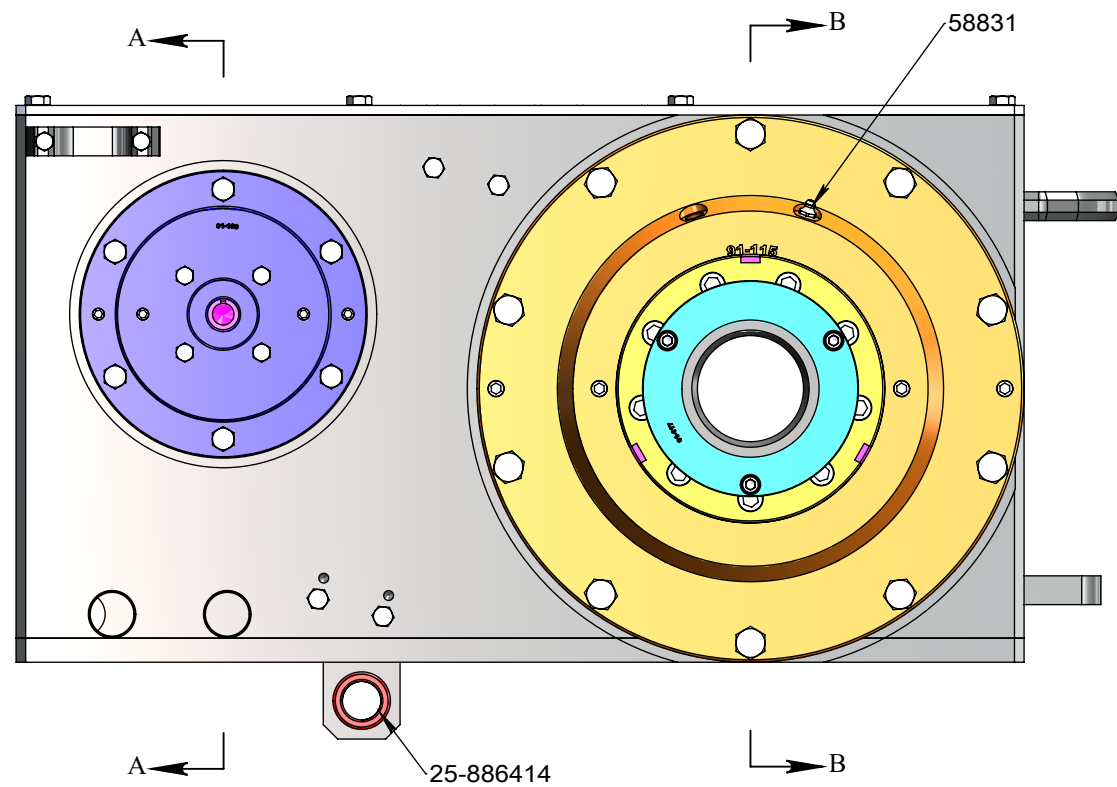
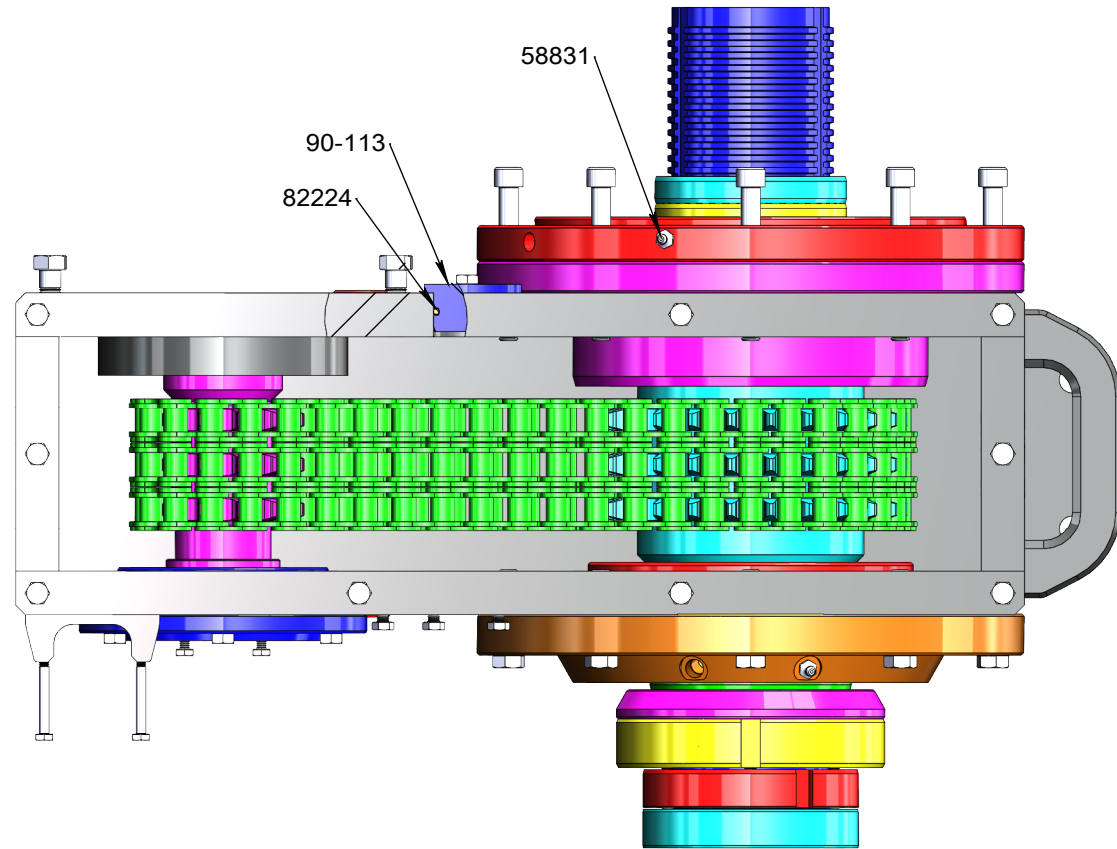


Item #	Part Number	Description	Qty	Unit Weight
1	13-416865	Oil Seal	2	0.652
2	13-417358	Oil Seal	2	0.643
3	15-3222M	Angular Contact Ball Bearing, Double Row	1	18.082
4	15-6213	Deep Groove Ball Bearing	2	2.236
5	15-6224	Lower Spindle Bearing	1	9.616
6	25-886414	H/T Bushing, Ø1.375" OD X Ø1.000" ID X 0.875" Lg	2	0.201
7	90-112	Transmission Seal Cage	1	2.539
8	90-113	Access Cap	1	1.085
9	90-203	Oil Seal	1	0.182
10	91-101	Casing, XBH	1	272.350
11	91-102	Head Cover, XBH	1	15.191
12	91-103	Driven Sprocket, 24T	1	22.974
13	91-104	Drive Spindle	1	13.019
14	91-105	Upper Seal Sleeve	1	2.035
15	91-106	Lower Seal Sleeve	1	3.379
16	91-107	Lower Locking Ring	1	2.769
17	91-108	Upper Locking Ring (C/W 9x Sets Screw, 3/4" x 1" Lg)	1	7.325
18	91-109	Pump Cover, XBH	1	8.729
19	91-110	Push Ring	1	4.584
20	91-111	Bearing Cover	1	38.835
21	91-112	Main Spindle, XBH	1	29.634
22	91-114	Chuck Adapter Cover	1	37.797
23	91-115	Spindle Back Cover	1	47.647
24	91-116	Drive Chain, XBH	1	18.123
25	91-117	Retaining Cap	1	3.560
26	91-121	Chuck Spacer	1	0.927
27	91-122	Key	2	0.535
28	15003	1/4-20 x 3/4" Grade 8 Yellow Zinc Finish Hex Cap Screw	4	0.0162
29	15013	1/4-20 x 2-1/2" Grade 8 Yellow Zinc Finish Hex Cap Screw	2	0.0404
30	15053	5/16-18 x 3/4" Grade 8 Yellow Zinc Finish Hex Cap Screw	4	0.0264
31	15105	3/8-16 x 1" Grade 8 Yellow Zinc Finish Hex Cap Screw	12	0.0454
32	15109	3/8-16 x 1-1/2" Grade 8 Yellow Zinc Finish Hex Cap Screw	6	0.0626
33	15212	1/2-13 x 2-1/4" Grade 8 Yellow Zinc Finish Hex Cap Screw	10	0.1587
34	15260	9/16-12 x 1-3/4" Grade 8 Yellow Zinc Finish Hex Cap Screw	4	0.1695
35	23259	5/16-18 x 1-1/2" ASTM A574 Hex Drive Black Oxide Finish Alloy Steel Socket Cap Screw	6	0.040
36	23419	1/2-13 x 4" ASTM A574 Hex Drive Black Oxide Finish Alloy Steel Socket Cap Screw	10	0.261
37	25537	3/8-16 x 3/8" Hex Drive Cup Point Black Oxide Finish Alloy Steel Socket Set Screw	4	0.007
38	25667	1/2-13 x 1" Hex Drive Cup Point Black Oxide Finish Alloy Steel Socket Set Sc	6	0.041
39	25774	3/4-10 x 1" Hex Drive Cup Point Black Oxide Finish Alloy Steel Socket Set Screw	9	0.091
40	58831	1/8-27 Straight Steel Zinc Self-Tapping Grease fitting	2	0.017
41	82224	O-Ring	1	0.0042
42	82242	O Ring	2	0.0092

Guide Bushing	
Size	Part #
B W/L	91-118
N W/L	91-119



	Usinage X-Spec Inc. 1066, Jules Brisebois Val-d'Or, Qc, Canada J9P 6X4 Tel: (819)-874-1045 www.xspec.ca	91-100 XBH Rotation Unit
	FILENAME:C6761	DATE
	2020-09-16	