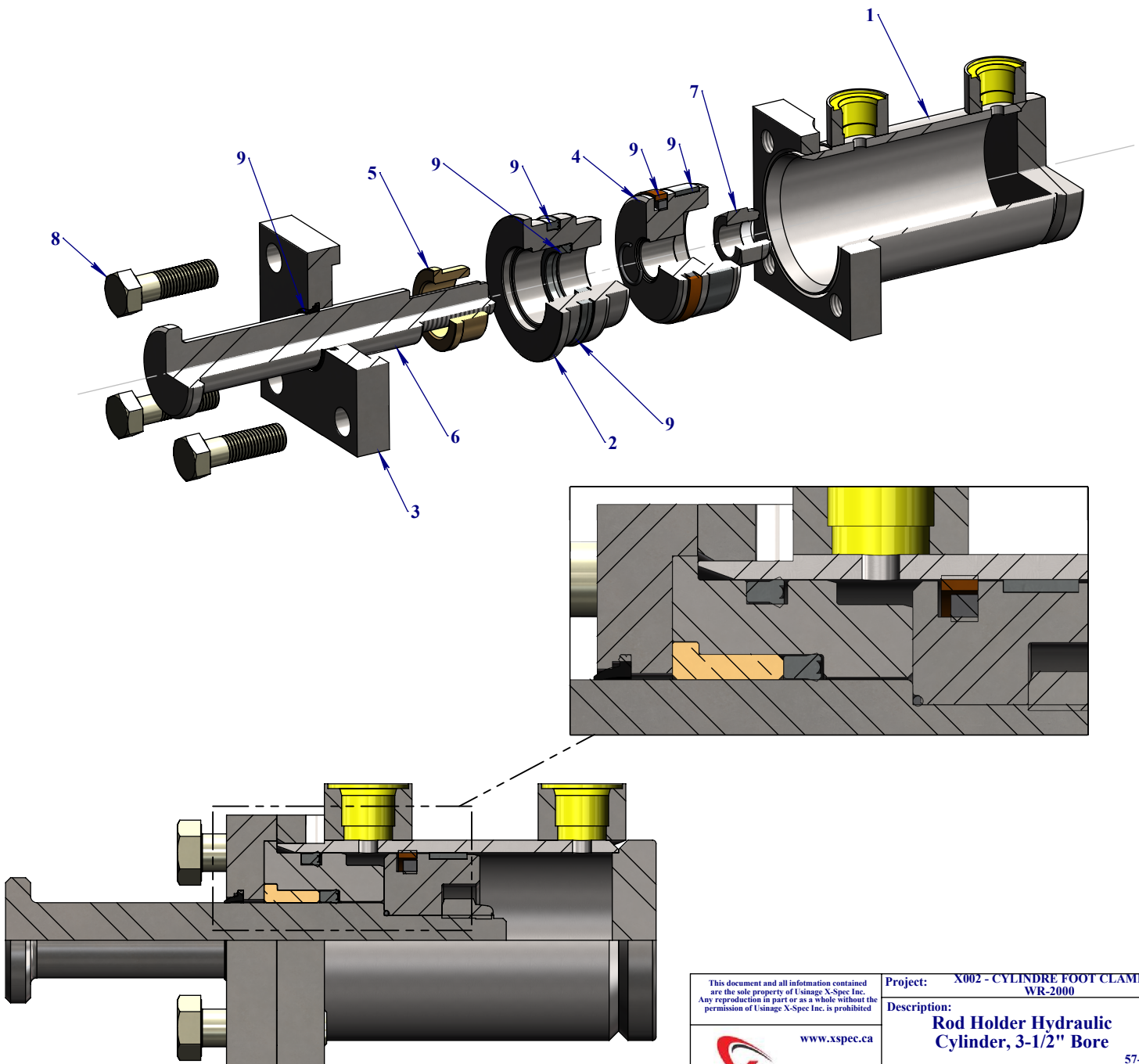


Item #	Part #	Description	Unit Weight
1-9	57-102	Rod Holder Hydraulic Cylinder, 3-1/2" Bore	33.007

Item #	Part #	Description	Qty	Unit Weight
1	A4988	Cylinder Body, Rod Holder	1	12.366
2	A4961	Cylinder Head, Rod Holder	1	3.992
3	A3993	Front Cover, Rod Holder Cylinder	1	5.149
4	A4960	Piston, Rod Holder Cylinder	1	3.308
5	A4959	Bushing, Rod Holder Cylinder	1	0.556
6	C3649	Rod, Rod Holder Cylinder	1	4.746
7	37089	1-14 Grade 8 Yellow Zinc Finish NE Steel Nylon Insert Lock Nut	1	0.312
8	15363	3/4-10 x 2-1/2" Grade 8 Yellow Zinc Finish Hex Cap Screw	4	0.4331
9	YSR-3500-1	Seal Kit, Rod Holder Ø3-1/2"	1	0.846



This document and all information contained are the sole property of Usage X-Spec Inc. Any reproduction in part or as a whole without the permission of Usage X-Spec Inc. is prohibited



www.xspec.ca

Project: X002 - CYLINDRE FOOT CLAMP WR-2000	
Description: Rod Holder Hydraulic Cylinder, 3-1/2" Bore	
Weight: 33.007 lbs	Version: 57-102
Filename: A5002.sldrw	
2019-05-18	