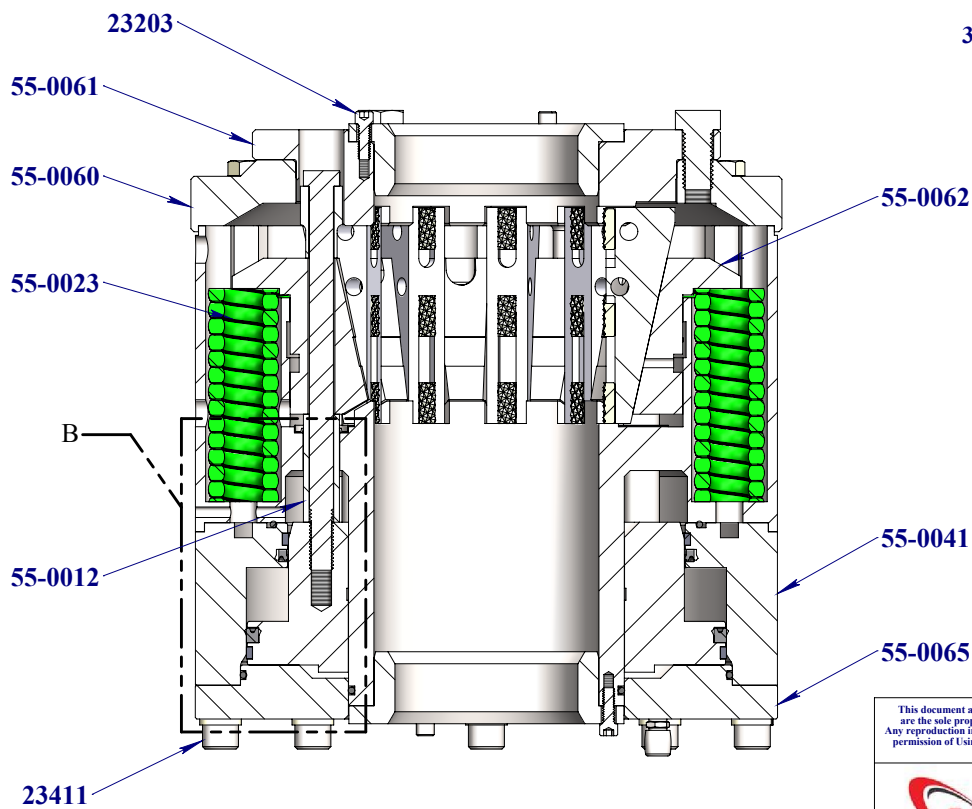
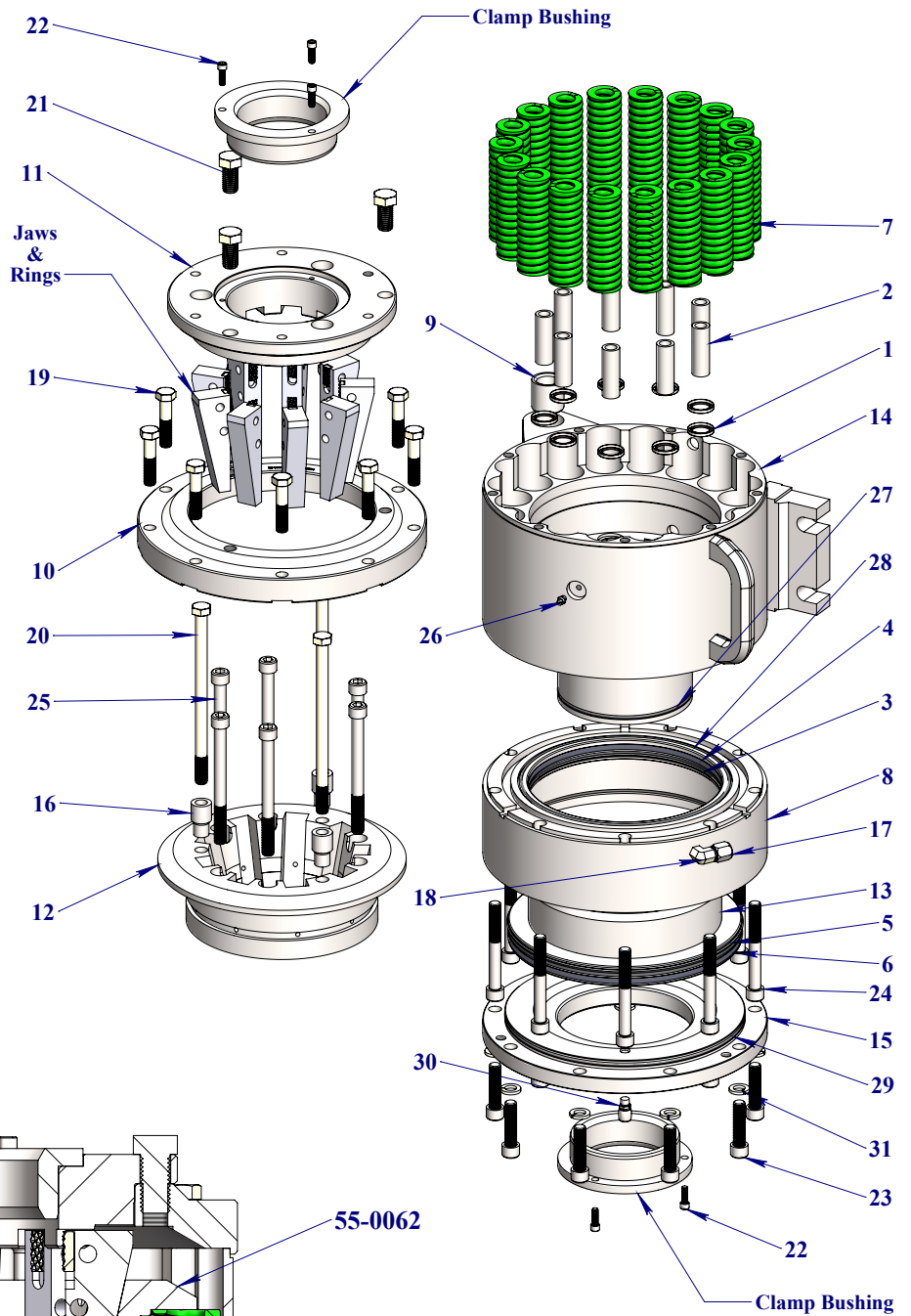


DETAIL B
SCALE 1 : 2



This document and all information contained are the sole property of Usage X-Spec Inc. Any reproduction in part or as a whole without the permission of Usage X-Spec Inc. is prohibited



www.xspec.ca

Project:	055C - BOYLES PQ ROD CLAMP	
Description:	55-2000 Boyles "P" Clamp Assembly 55-2000	
Weight	271.205 lbs	Version 2019-08-29
Filename: C0910.slddrw		

# Item #	Part #	Description	Atlas Copco Interchange	Mirow Interchange
1-31	55-2000	Boyles "P" Clamp Assembly	mod-2920456	18120006

Item #	Part #	Description	Qty	Atlas Copco Interchange	Mirow Interchange
1	13-7415	Oil Seal	9	5040192	18100156
2	55-0012	Bottom Spacer	9	3506880	18100059
3	55-0017	U Cup Seal, Ø8-1/4"	1	5035016	18100062
4	55-0018	Wear Ring, Ø8-1/4"	1	5035018	18100063
5	55-0019	U Cup Seal, Ø10"	1	5035015	18100061
6	55-0020	Wear Ring, Ø10"	1	5035017	18100064
7	55-0023	Compression Spring	18	5200517	18100155
8	55-0041	Clamp Cylinder	1	2920332	18100052
9	55-0045	Housing Bushing	2	5020126	18100336
10	55-0060	P Clamp, Top Cap Holder	1	mod-3506906	18100168
11	55-0061	P Clamp, Top Cap Adapter	1	mod-3506907	18100167
12	55-0062	P Clamp, Slotted Bowl	1	mod-2920390	18100169
13	55-0063	P Clamp, Piston	1	mod-2920331	18100171
14	55-0064	P Clamp, Housing	1	mod-2920455	18100170
15	55-0065	P Clamp, Cylinder Cap	1	mod-2920333	18100172
16	55-0067	Top Spacer, Notched	3	mod-3506878	18100202
17	0304C-06	Female JIC Flare Cap, #6	1		
18	2501-0604	90° M-JIC #6 / M-NPT #4	1	5290662	
19	15212	1/2-13 x 2-1/4" Grade 8 Yellow Zinc Finish Hex Cap Screw	9	5115303	HHCS120132145
20	15229	1/2-13 x 8" Grade 8 Yellow Zinc Finish Hex Cap Screw	3	5125803	HHCS120138005
21	15307	5/8-11 x 1-1/4" Grade 8 Yellow Zinc Finish Hex Cap Screw	3		
22	23203	1/4-20 x 3/4" ASTM A574 Hex Drive Black Oxide Finish Alloy Steel Socket Cap Screw	6		
23	23411	1/2-13 x 2" ASTM A574 Hex Drive Black Oxide Finish Alloy Steel Socket Cap Screw	9	5115216	SHCS12013200
24	23419	1/2-13 x 4" ASTM A574 Hex Drive Black Oxide Finish Alloy Steel Socket Cap Screw	9	5125016	SHCS12013400
25	23424	1/2-13 x 5-1/2" ASTM A574 Hex Drive Black Oxide Finish Alloy Steel Socket Cap Screw	6		SHCS12013512
26	58834	1/4-28 Straight Steel Zinc Self-Tapping Grease fitting With Ball Check	1	5200812	GF14028S
27	82254	O-Ring	1	5030254	18100200
28	82269	O-Ring	1	5030269	18100191
29	82274	O-Ring	1	5030274	18100192
30	300805	Air Breather, 1/8 NPT	1	7500346	18100173
31	1133626	1/2 Zinc Finish Medium Split Lock Washer	9		

Size	Jaw Set			Jaw Retaining Ring		Clamp Bushing		
	X-Spec P/N	Copco P/N	Mirow P/N	X-Spec P/N	Mirow P/N	X-Spec P/N	Copco P/N	Mirow P/N
BW/BWL/BQ ROD AW CSG	30-17-01	mod-2920392	18100174	30-202 2 RQ'D	18100208	55-0068	mod-2920460	18100180
NWL/NQ ROD	30-17-02	mod-2920394	18100176			55-0069	mod-29204654	18100182
BW CSG	30-17-06	mod-2920395	18100175			55-0072		
HW/HWL/HQ ROD / NW CSG	30-17-03	mod-2920396	18100177			55-0070		18100184
PW/PWL/PQ ROD / HW CSG	30-17-04		18100178	30-203 30-204 1 OF EACH RQ'D	18100209 18100484 1 OF EACH RQ'D	55-0071		18100185

A SEAL KIT #55-0058 INCLUDES ITEMS MARKED **A**

B JAW SET INCLUDES 9 MATCHED JAWS
SERVICED ONLY IN SETS OF 9

This document and all information contained
are the sole property of Usage X-Spec Inc.
Any reproduction in part or as a whole without the
permission of Usage X-Spec Inc. is prohibited

www.xspec.ca



Project: 055C - BOYLES PQ ROD CLAMP

Description: **55-2000**
Boyles "P" Clamp Assembly
55-2000

Weight: **271.205 lbs** Version: 2019-08-29

Filename: C0910.slddrw