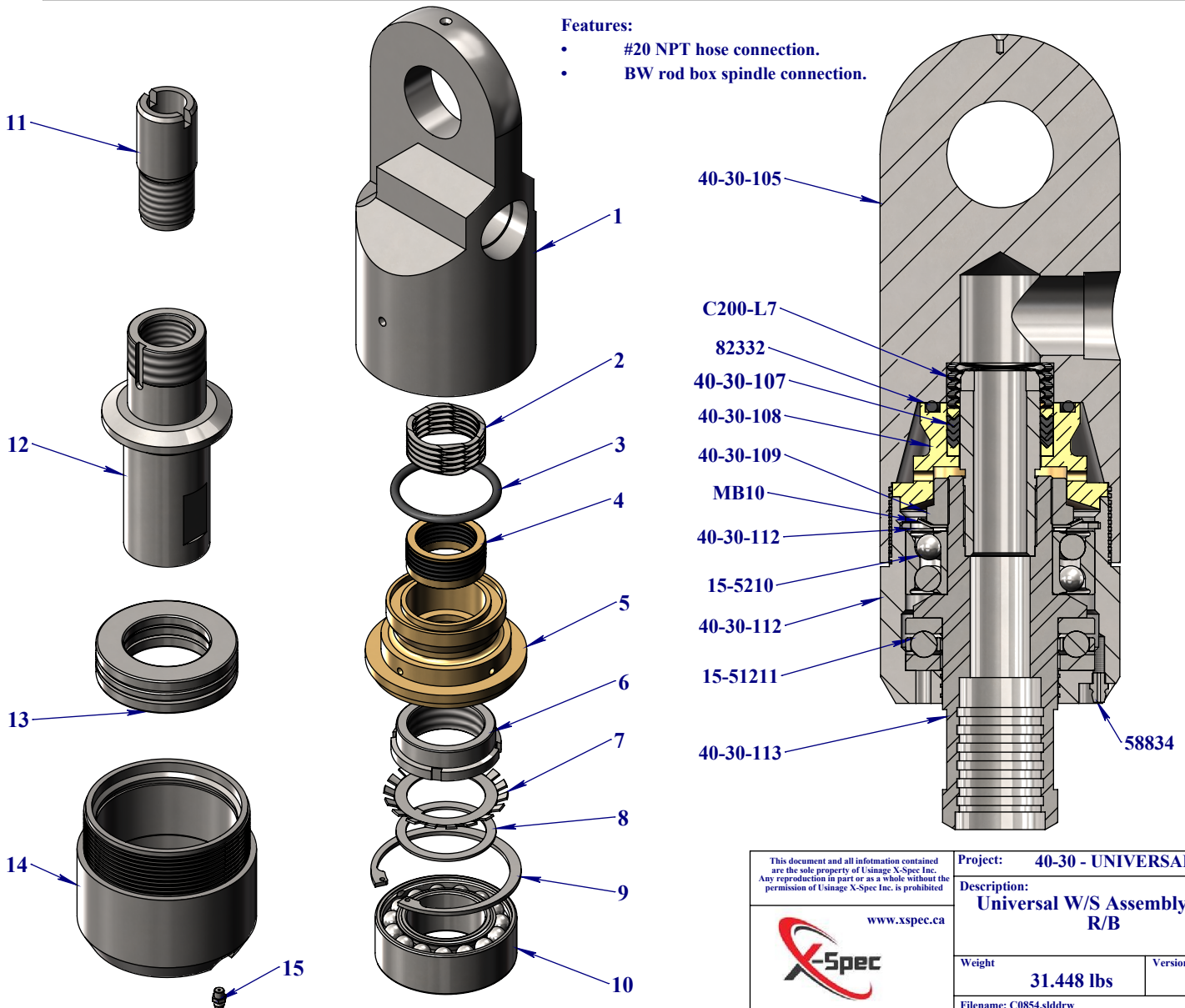



Item #	Part #	Description	Boart LY Interchange	Unit Weight
1-15	40-30-100	Universal W/S Assembly, BW R/B	67321	31.448

Item #	Part #	Description	Boart LY Interchange	QTY.	Unit Weight
1	40-30-105	Cap	39169	1	13.985
2	C200-L7	Compression / Wave Spring	39168	1	0.04191
3	82332	O Ring	29737	1	0.0130
4	40-30-107	HD W/S Swivel Packing	39171	1	0.165
5	40-30-108	Packing Housing	39172	1	2.578
6	40-30-109	Spindle Nut	67325	1	0.583
7	MB10	Locking Washer	67186	1	0.049
8	40-30-111	Spacer	67322	1	0.033
9	045000-0354	Internal Retaining Ring	40965	1	0.0742
10	15-5210	Angular Contact Ball Bearing	19906	1	1.512
11	40-30-106	Spindle Extension	39170	1	0.802
12	40-30-113	Spindle	67324	1	4.053
13	15-51211	Thrust Ball Bearing	67187	1	1.593
14	40-30-112	Swivel Body	67631	1	5.958
15	58834	1/4-28 Straight Steel Zinc Self-Tapping Grease fitting With Ball Check	17447	1	0.01

Features:

- #20 NPT hose connection.
- BW rod box spindle connection.



<small>This document and all information contained are the sole property of Usage X-Spec Inc. Any reproduction in part or as a whole without the permission of Usage X-Spec Inc. is prohibited.</small> www.xspec.ca 	Project: 40-30 - UNIVERSAL W-S	
	Description: Universal W/S Assembly, BW R/B 40-30-100	
Weight	31.448 lbs	Version 2019-09-11
<small>Filename: C0854.slddrw</small>		