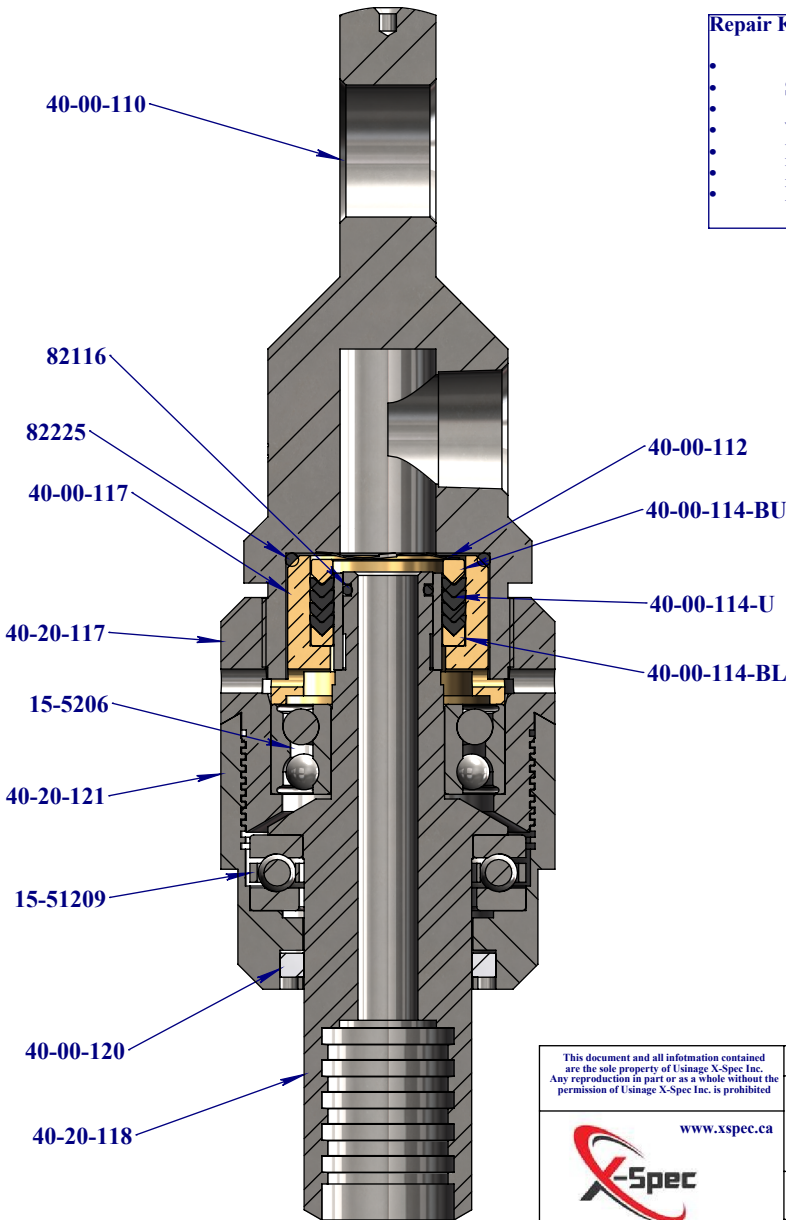


Item #	Part #	Description	Boart LY Interchange	Unit Weight
1-14	40-20-100	Compact Plus W/S Assy, AW Rod Box		16.230

Item #	Part #	Description	Boart LY Interchange	QTY.
1	40-00-110	Swivel Cap	3546529	1
2	82225	O-Ring	19678	1
3	40-00-112	Wave Spring	23863	1
4	40-00-114	V-Packing Set ( Brass Upper & Lower)	23861	1
5	40-00-117	Packing Cage	23866	1
6	15-5206	Ball Bearing	20324	1
7	40-20-117	Upper Body	3546531	1
8	40-20-114	Compact Plus W/S, Wear Sleeve	3546530	1
9	82116	O-Ring	20169	1
10	40-20-118	Spindle, Compact Plus W/S	3546907	1
11	15-51209	Thrust Ball Bearing	3546908	1
12	40-00-120	Felt Seal	25612	1
13	40-20-121	Lower Body, Compact Plus W/S	3546909	1
14	58834	1/4-28 Straight Steel Zinc Self-Tapping Grease fitting With Ball Check	17447	1



- Repair Kit Compact Plus: 40-20-200**
- "O" Ring - 3 Sizes (3 Of Each Size)
  - Spring Washer (2)
  - "V" Packing Set (2)
  - Wear Sleeve (2)
  - Ball Bearing (1)
  - Felt Seal (2)
  - Ball Thrust Bearing (1)

This document and all information contained are the sole property of Usage X-Spec Inc. Any reproduction in part or as a whole without the permission of Usage X-Spec Inc. is prohibited.

www.xspec.ca

**X-Spec**

Project: 40-20 - SURF COMPACT PLUS W-S	
Description: Compact Plus W/S Assy, AW Rod Box	
Weight: 16.230 lbs	Version: 2019-05-05
Filename: C0851.slddrw	