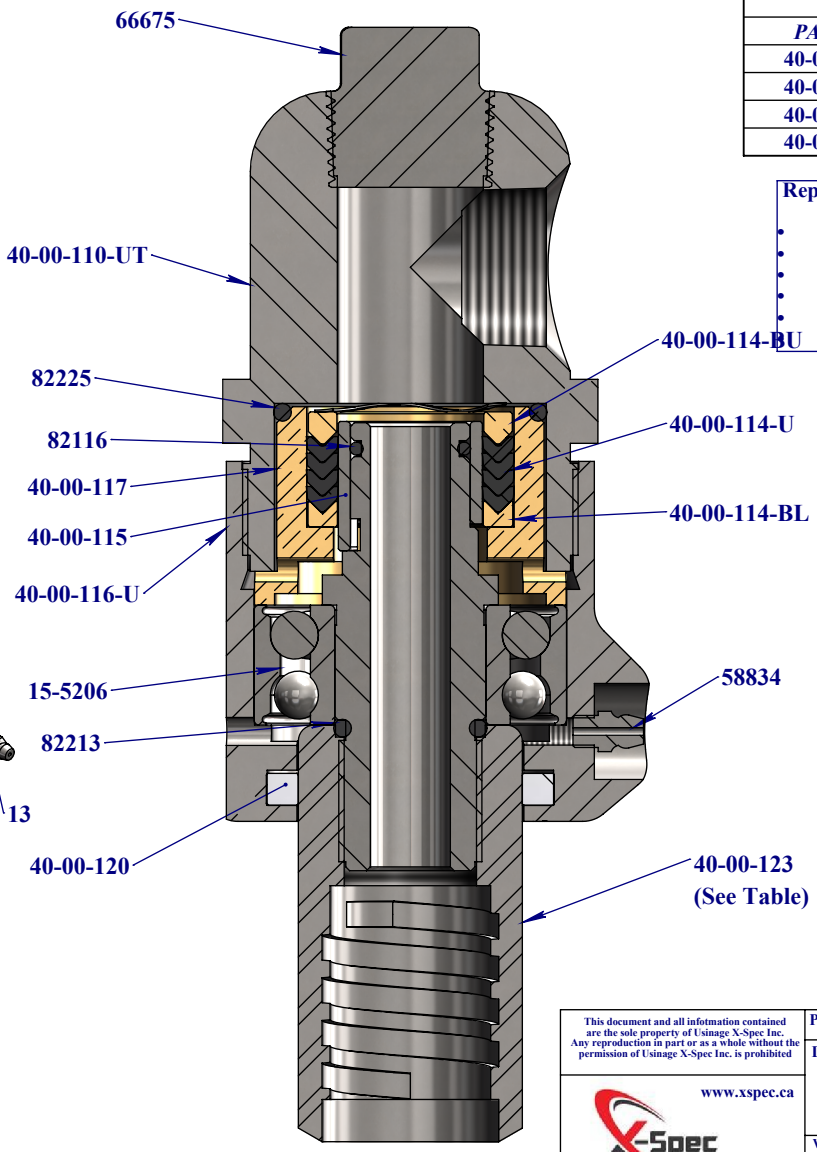


Item #	Part #	Description	Unit Weight
1-15	40-10-100	Compact W/S Assy, AW Rod Box, U/G	8.116

Item #	Part #	Description	Boart LY Interchange	Qty
1	66675	1" M-NPT 300 lb Zinc Merchant Steel Square Solid Pipe Plug		1
2	40-00-110-UT	Compact W/S UG - Cap - Twin Port		1
3	82225	O-Ring	19678	1
4	40-00-112	Wave Spring	23863	1
5	40-00-114	V-Packing Set (Brass Upper & Lower)	23861	1
6	40-00-117	Packing Cage	23866	1
7	40-00-115	Wear Sleeve, Compact W/S	23864	1
8	82116	O-Ring	20169	1
9	40-00-121	Spindle		1
10	82213	O-Ring		1
11	15-5206	Ball Bearing	20324	1
12	40-00-116-U	Swivel Body, U/G		1
13	58834	1/4-28 Straight Steel Zinc Self-Tapping Grease fitting With Ball Check	17447	1
14	40-00-120	Felt Seal	25612	1
15	40-00-123	Spindle Extension, AW R/B	25610	1



SPINDLE EXTENSION	
PART #	CONNECTION
40-00-123	AW R/B
40-00-124	ATW R/P
40-00-125	BT R/P
40-00-126	NT R/P

Repair Kit Compact: 40-00-200

- O-Ring - 3 Sizes (3 of each size)
- Spring Washer (2)
- V-Packing Set (2)
- Wear Sleeve (2)
- Ball Bearing (1)
- Felt Seal (2)

This document and all information contained are the sole property of Usage X-Spec Inc. Any reproduction in part or as a whole without the permission of Usage X-Spec Inc. is prohibited.

Project: 40-10 - UG COMPACT W-S

Description: Compact W/S Assy, AW Rod Box, U/G

Weight: 8.116 lbs

Version: 2019-05-05

Filename: C0850.slddrw

www.xspec.ca