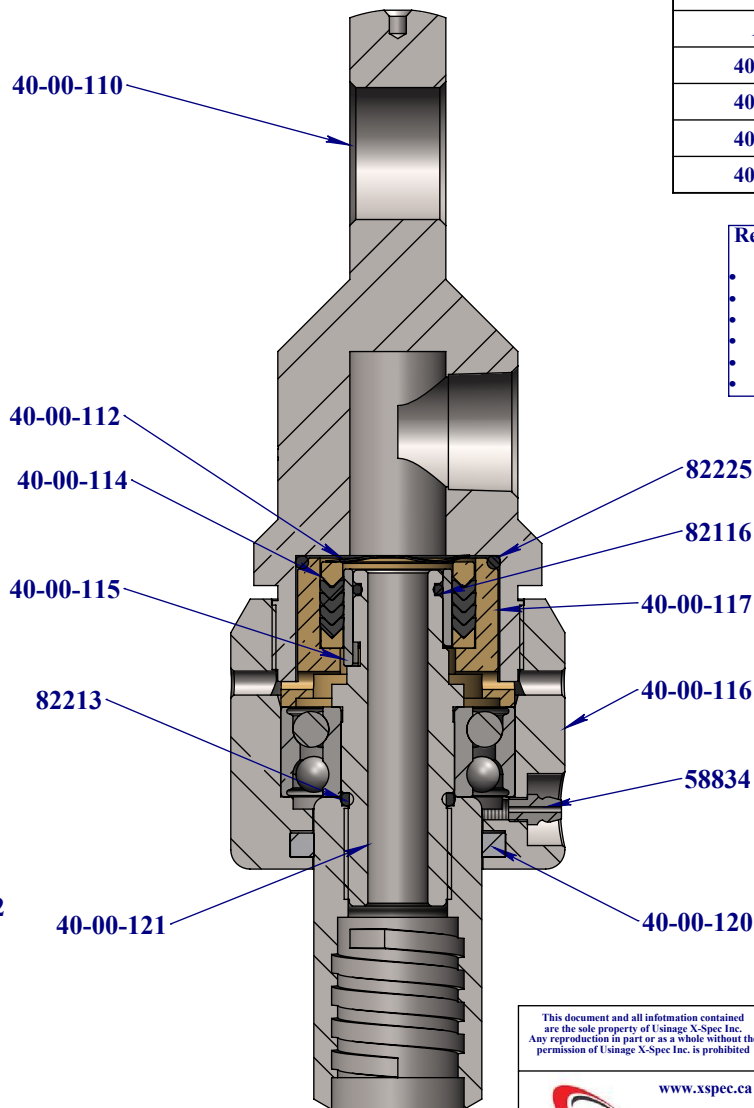
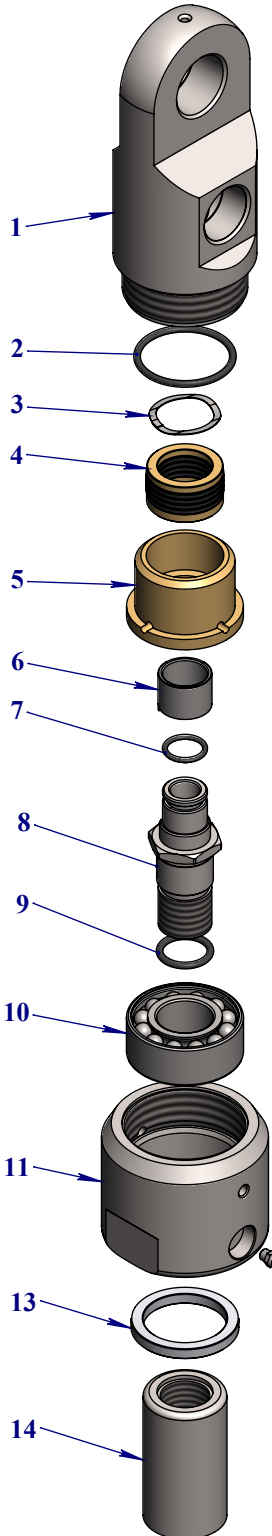


Item #	Part #	Description	Unit Weight
1-14	40-00-100	Compact W/S Assy, AW Rod Box, Surface	13.810

Item #	Part #	Description	Boart LY Interchange	Qty	Unit Weight
1	40-00-110	Swivel Cap	3546529	1	6.690
2	82225	O-Ring	19678	1	0.0044
3	40-00-112	Wave Spring	23863	1	0.003
4	40-00-114	V-Packing Set ( Brass Upper & Lower)	23861	1	0.132
5	40-00-117	Packing Cage	23866	1	0.767
6	40-00-115	Wear Sleeve, Compact W/S	23864	1	0.072
7	82116	O-Ring	20169	1	0.0010
8	40-00-121	Spindle		1	0.634
9	82213	O-Ring		1	0.0024
10	15-5206	Ball Bearing	20324	1	0.633
11	40-00-116	Swivel Body		1	3.736
12	58834	1/4-28 Straight Steel Zinc Self-Tapping Grease fitting With Ball Check	17447	1	0.01
13	40-00-120	Felt Seal	25612	1	0.013
14	See Table	Spindle Extension, AW R/B	25610	1	1.112



Spindle Extension	
Part #	Connection
40-00-123	AW R/B
40-00-124	ATW R/P
40-00-125	BT R/P
40-00-126	NT R/P

- Repair Kit Compact: 40-00-200**
- O-Ring - 3 Sizes (3 of each size)
  - Spring Washer (2)
  - V-Packing Set (2)
  - Wear Sleeve (2)
  - Ball Bearing (1)
  - Felt Seal (2)

This document and all information contained are the sole property of Usage X-Spec Inc. Any reproduction in part or as a whole without the permission of Usage X-Spec Inc. is prohibited.

Project: 40-00 - SURF COMPACT W-S

Description: Compact W/S Assy, AW Rod Box, Surface

Weight: 13.810 lbs

Version: 2019-05-05

Filename: C0849.slddrw

www.xspec.ca