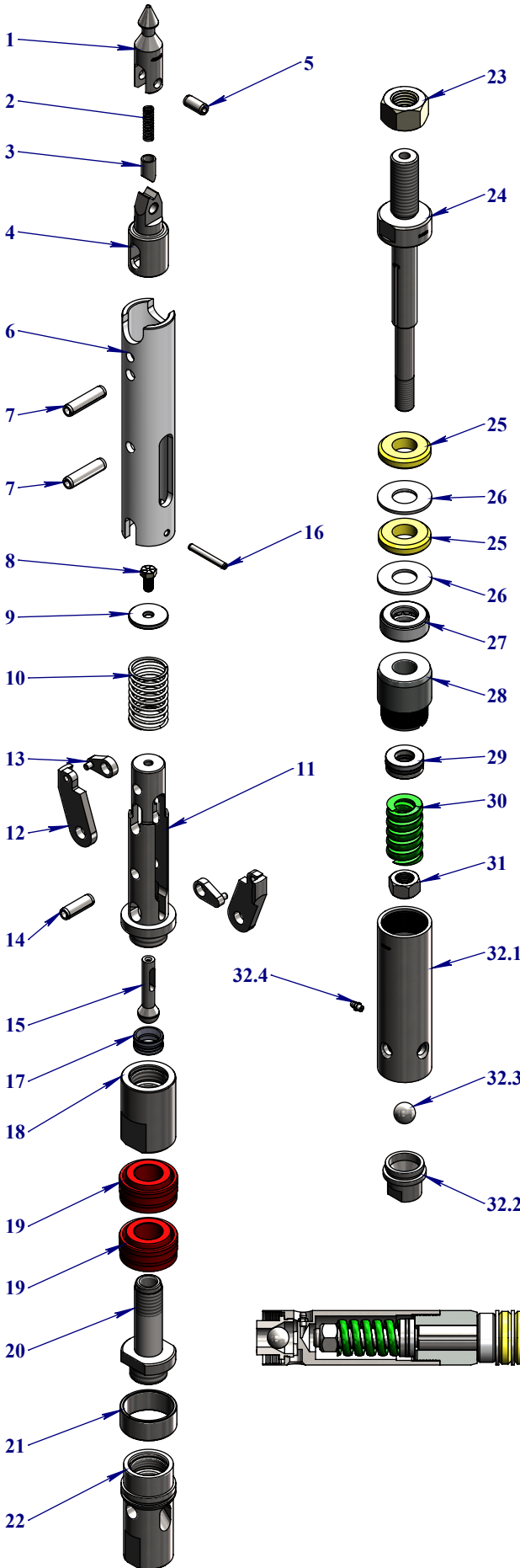



| Item # | Part Number | Description | Unit Weight |
|--------|-------------|----------------------------------|-------------|
| 1-32 | 3548625 | Head Assembly, NQU Quick Pump-In | 25.232 |

| Item # | Part Number | Description | Qty |
|--------|-------------|--|-----|
| 1 | 42913 | Spearhead Point | 1 |
| 2 | 15141 | Compression Spring | 1 |
| 3 | 42914 | Detent Plunger | 1 |
| 4 | 3544136 | Spearhead Base. NQ/U | 1 |
| 5 | 42905 | Spirol Spin 7/16" X 1" | 1 |
| 6 | 3548623 | Latch Retracting Case, NQU F/P | 1 |
| 7 | 64355 | 1/2" x 2" Plain Finish Steel Slotted Spring Pin | 2 |
| 8 | 3541932 | Nylock Bolt, 3/8 NC X 3/4 | 1 |
| 9 | 306022 | Washer, NQ | 1 |
| 10 | 3543136 | Latch Compression Spring, NQU | 1 |
| 11 | 3548336 | Upper Latch Body, NQU | 1 |
| 12 | 104816 | Latch, NQ | 2 |
| 13 | 104817 | Link, NQU (Short) | 2 |
| 14 | 64351 | 1/2" x 1-1/2" Plain Finish Steel Slotted Spring Pin | 1 |
| 15 | 3547672 | Valve Piston, BQ / NQ | 1 |
| 16 | 64255 | 1/4" x 2" Plain Finish Steel Slotted Spring Pin | 1 |
| 17 | 3543904 | Landing Indicator Bushing (Light) | 1 |
| 18 | 3543948 | Adapter, NQU | 1 |
| 19 | 64302 | Pump-In Lip Seal, NQ | 2 |
| 20 | 3543949 | Seal Seat, NQU | 1 |
| 21 | 306009 | Landing Shoulder, NQ | 1 |
| 22 | 306008 | Lower Latch Body, NQ | 1 |
| 23 | 36422 | 1-1/8-7 Yellow Zinc Finish Grade 8 Finished Hex Nut | 1 |
| 24 | 24886 | Spindle, NQ | 1 |
| 25 | 44209 | Shut Off Valve NQ Hard | 2 |
| 26 | 24888 | Valve Adjusting Washer, NQ | 2 |
| 27 | 24312 | Thrust Bearing | 1 |
| 28 | 24889 | Spindle Bearing, NQ | 1 |
| 29 | 18298 | Thrust Bearing | 1 |
| 30 | 11XHP65 | Compression Spring | 1 |
| 31 | 37274 | 3/4"-10 Grade C Zinc Finish Steel Top Lock Nut | 1 |
| 32 | 40664 | Inner Tube Cap Assembly, NQ | 1 |
| 32.1 | 40677 | Inner Tube Cap, NQ | 1 |
| 32.2 | 37382 | Check Valve Body, NQ / HQ | 1 |
| 32.3 | 62374 | 22mm Chrome Steel Ball | 1 |
| 32.4 | 58834 | 1/4-28 Straight Steel Zinc Self-Tapping Grease fitting With Ball Check | 1 |



| | | |
|---|---|----------------------------------|
| <p>This document and all information contained are the sole property of Usage X-Spec Inc. Any reproduction in part or as a whole without the permission of Usage X-Spec Inc. is prohibited</p> <p>www.xspec.ca</p>  | Project: | |
| | Description: Head Assembly, NQU Quick Pump-In | |
| | Weight 25.232 lbs | Version 3548625 2019-05-08 |
| | Filename: C6051.sldrw | |