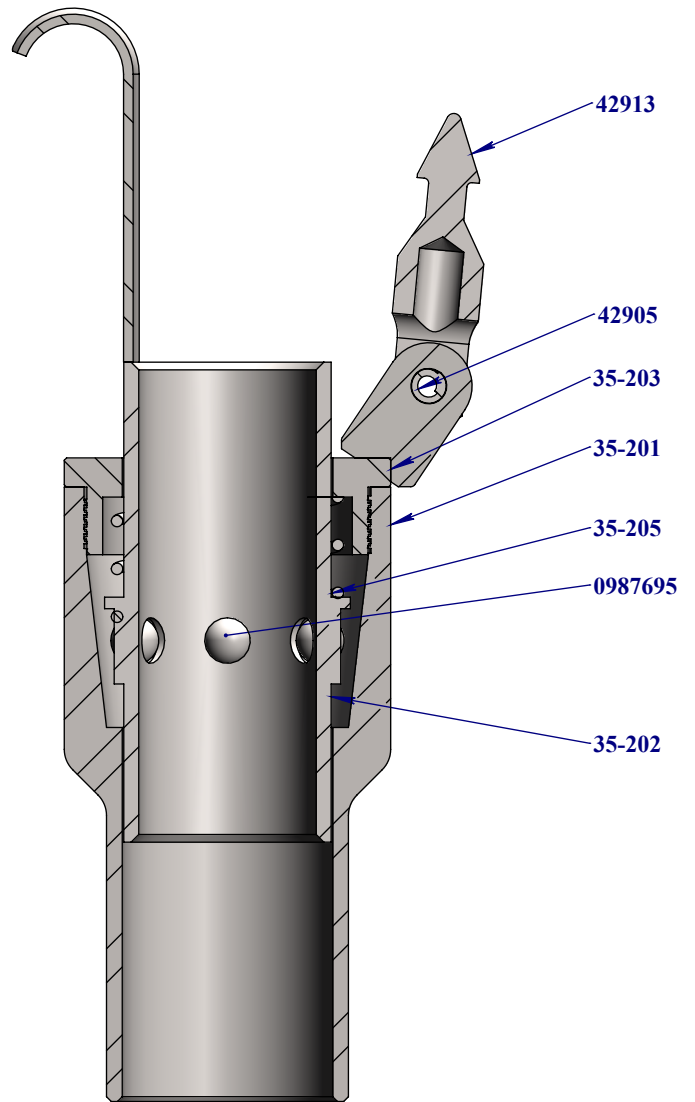
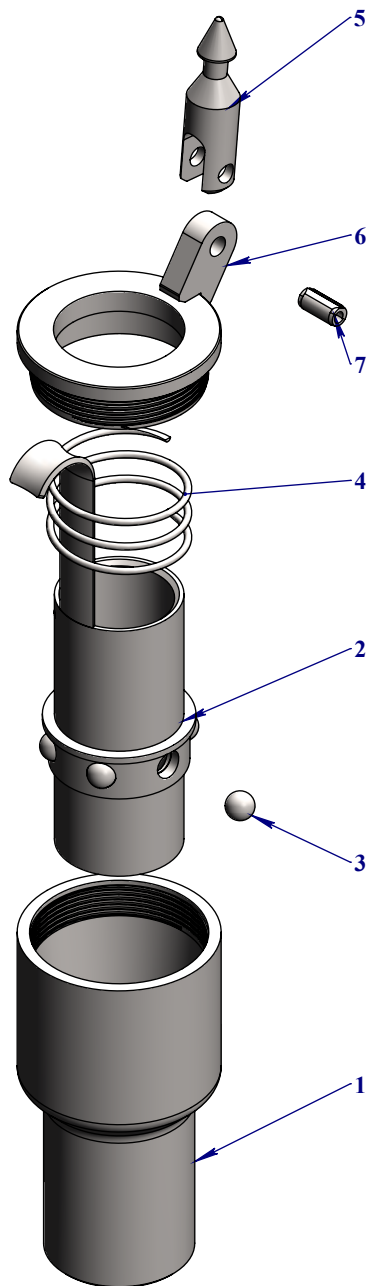



Item #	Part #	Description	Unit Weight
1-7	35-200	Pulling Dog, BQ/BTW Rod (NQ I.T.) 2.025" - 2.300" Range	13.736

Item #	Part Number	Description	Qty	Unit Weight
1	35-201	Pulling Dog Body, BQ / NQ I.T.	1	7.958
2	35-202	Inner Tube, BQ / NQ I.T.	1	3.132
3	0987695	5/8" Chrome Steel Ball	6	0.036
4	35-205	Compression Spring, Pulling Dog, BQ Rod (NQ I.T.)	1	0.134
5	42913	Spearhead Point	1	0.420
6	35-203	Cap, Pulling dog, BQ Rod / NQ IT	1	1.843
7	42905	Spirol Spin 7/16" X 1"	1	0.031



<p>This document and all information contained are the sole property of Usage X-Spec Inc. Any reproduction in part or as a whole without the permission of Usage X-Spec Inc. is prohibited</p> <p>www.xspec.ca</p> 	Project: 035 - PULLING DOG	
	Description: Pulling Dog, BQ/BTW Rod (NQ I.T.) 2.025" - 2.300" Range 35-200	
	Weight: 13.736 lbs	Version: 2019-06-27
	Filename: A6738.slddrw	